

# CHEMFLO

## 5 - 8

Hydraulic Drive  
Stainless Steel  
Centrifugal Pumps

4 Pumps

2 Motors

Mount Anywhere

Remote Control

No Alignment Required

CHEMFLO 5,6,7,8 hydraulic driven pumps are available with two hydraulic motor displacement options. The hydraulic motor is close-coupled to the bearing frame with a standard SAE B flange and driven with a 13-tooth shaft.

### PUMP SPECIFICATIONS

<b>Flanges</b> .....	150# Class
<b>Housing</b> .....	316 Stainless Steel
<b>Impeller</b> .....	Enclosed 316 Stainless Steel
<b>Seal Plate</b> .....	316 Stainless Steel
<b>Shaft Sleeve</b> .....	316 Stainless Steel
<b>Seal</b> .....	Viton / carbon / ceramic Optional seals are available
<b>O'Ring</b> .....	Viton or teflon optional
<b>Bearings</b> .....	Grease lube 6309
<b>Hydraulic Motor</b> .....	Gear type, Commercial Intertech, pressure balanced, cast iron, bi-rotational

CHEMFLO 5 2" X 1 1/2" X 6"

CHEMFLO 6 3" X 2" X 6"

CHEMFLO 7 2" X 1" X 8"

CHEMFLO 8 3" X 1 1/2" X 8"

FLOW RATE UP TO 500 GPM  
PRESSURE UP TO 340 FEET

OIL FLOW RATE UP TO 28 GPM

OIL PRESSURE UP TO 2500 PSI

HYDRAULIC MOTOR  
STANDARD SAE "B"  
SPLINE SHAFT

AVAILABLE WITHOUT THE  
HYDRAULIC MOTOR



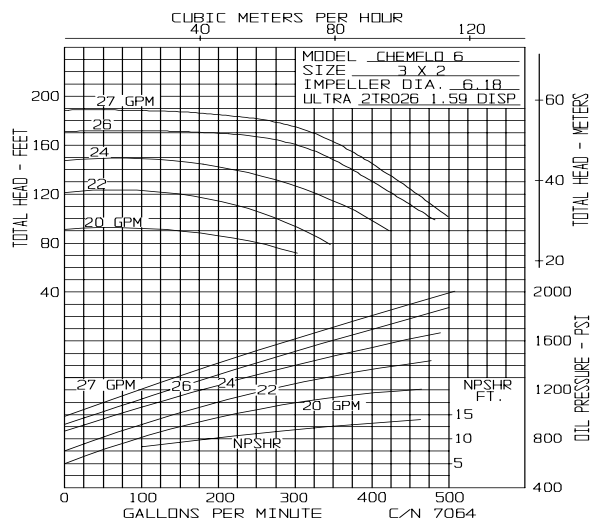
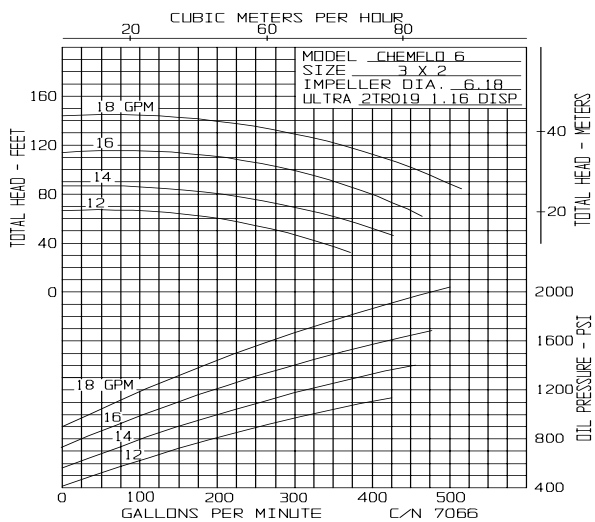
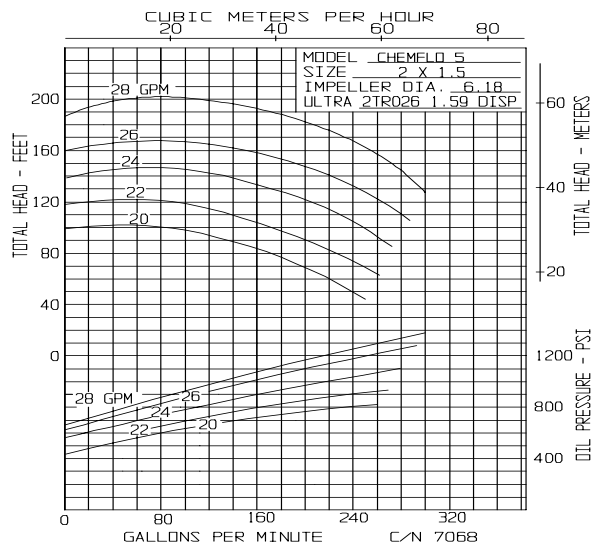
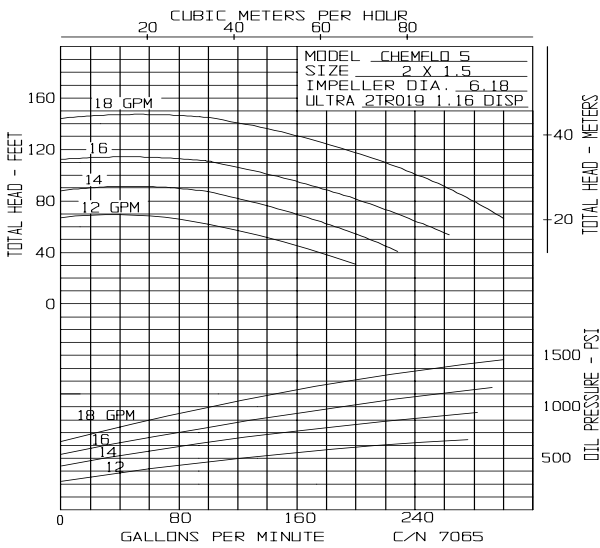
34800 BENNETT • FRASER, MI 48026-1686  
(586) 293-8240 • FAX (586) 293-8469  
(800) 563-8006 • [www.mppumps.com](http://www.mppumps.com)

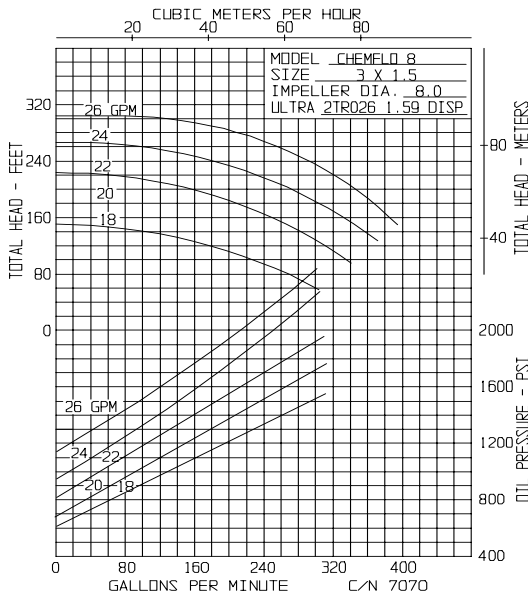
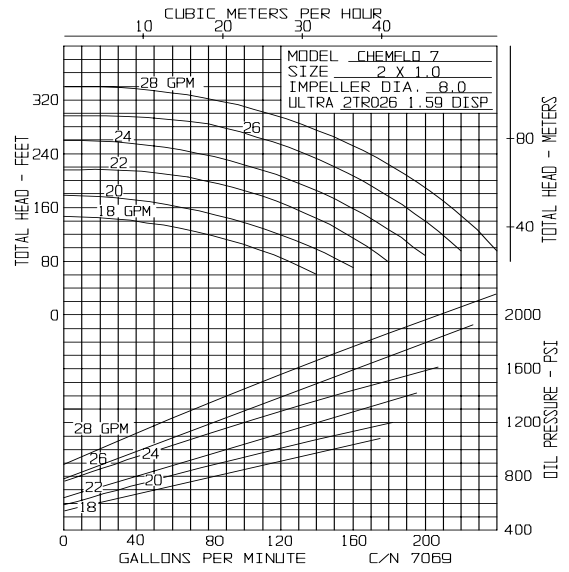
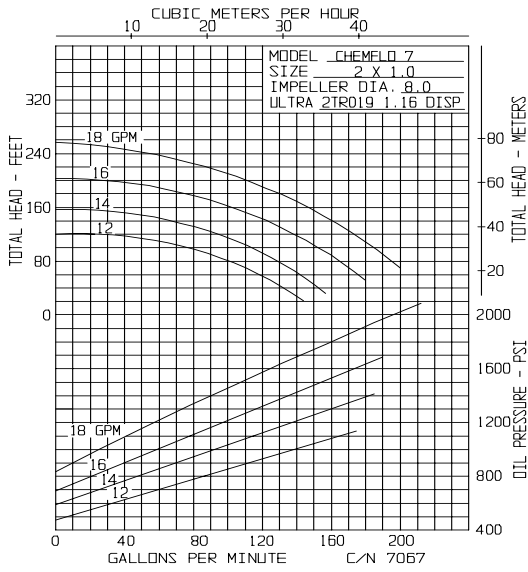
# CHEMFLO 5-8

## HYDRAULIC MOTOR SPECIFICATIONS

**Model Number:** 2TR019  
**Displacement:** 1.16 IN<sup>3</sup>/REV  
**Max. Oil Flow:** 20 G.P.M.  
**Max. Oil Pressure:** 3000 P.S.I.  
**Max. Back Pressure:** 150 P.S.I.  
**Seal (Lip):** Viton  
**Hydraulic Connections:** 1 1/16-12 SAE O'Ring

**Model Number:** 2TR026  
**Displacement:** 1.59 IN<sup>3</sup>/REV  
**Max. Oil Flow:** 30 G.P.M.  
**Max. Oil Pressure:** 3000 P.S.I.  
**Max. Back Pressure:** 150 P.S.I.  
**Seal (Lip):** Viton  
**Hydraulic Connections:** 1 1/16-12 SAE O'Ring





PUMP	CF5	CF6	CF7	CF8
SIZE	2 X 1.5 X 6	3 X 2 X 6	2 X 1 X 8	3 X 1.5 X 8
FLOW (GPM)	300	500	200	400
TDH (FT)	200	160	320	280

**OPTIONAL SEALS**

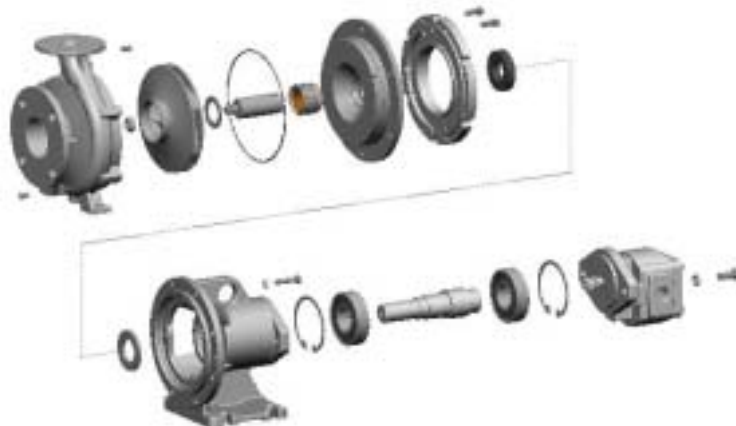
- TYPE 9 - CARBON CERAMIC TEFLON
- TYPE 2 - SILICON CARBIDE VITON
- TYPE 21 - CARBON CERAMIC VITON

**TYPICAL PERFORMANCE**

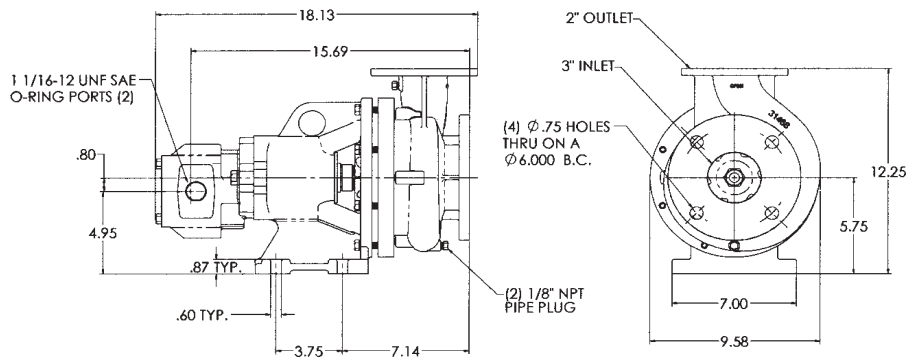
10WT INDUSTRIAL OIL  
 120 - 180° F OIL TEMPERATURE

WHEN PUMPING LIQUIDS HEAVIER THAN WATER, PRESSURE WILL INCREASE DIRECTLY PROPORTIONAL TO THE SPECIFIC GRAVITY.

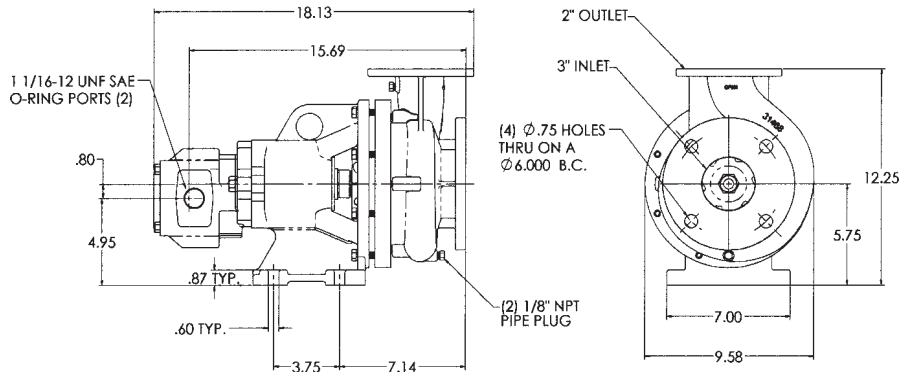
MAXIMUM WORKING PRESSURE NOT TO EXCEED 200 PSI.



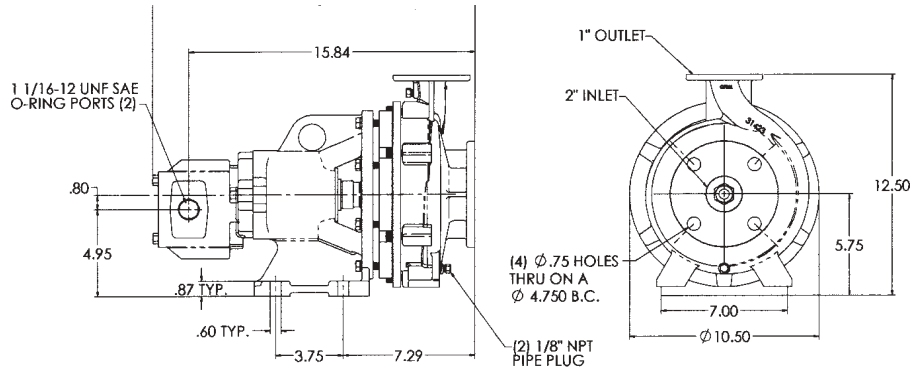
CHEMFLO 5  
2TR019



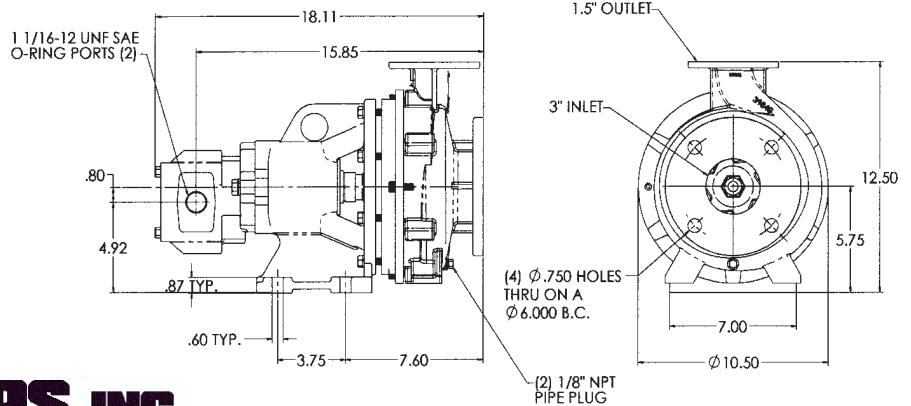
CHEMFLO 6  
2TR019



CHEMFLO 7  
2TR026



CHEMFLO 8  
2TR026



34800 BENNETT • FRASER, MI 48026-1686  
 (586) 293-8240 • FAX (586) 293-8469  
 (800) 563-8006 • www.mppumps.com