

# MP PUMPS, INC.

## FRX 125

### Centrifugal Pumps

The FRX 125 316 stainless steel centrifugal pump is ideal for hard-to-handle applications in the marine, commercial, and industrial markets.

All wetted components are 316 investment cast stainless steel providing superior corrosion resistance when pumping chemical compounds. A carbon, ceramic, viton bellows shaft seal is standard with optional seals available on request. The FRX 125 model is available with 1-1/4" x 1" NPT port configurations. Pump rotation in 90° increments.



### SPECIFICATIONS:

<b>Housing</b> . . . . .	<b>316 Stainless Steel (Investment Cast)</b>
<b>Cover</b> . . . . .	<b>316 Stainless Steel (Investment Cast)</b>
<b>Impeller</b> . . . . .	<b>316 Stainless Steel Enclosed (Investment Cast)</b>
<b>Mechanical Seal</b> . .	<b>Carbon/Ceramic/Viton Bellows 150 PSI Special Seals Upon Request</b>
<b>O-ring</b> . . . . .	<b>Viton</b>
<b>Motor</b> . . . . .	<b>56J Single and Three Phase TEFC</b>
<b>Weight</b> . . . . .	<b>36 lbs.</b>

### Application:

- Marine
- Industrial
- Commercial

### Construction:

- 316 Stainless Steel Investment Cast

### C FACE 56J

### Motor Options:

- TEFC

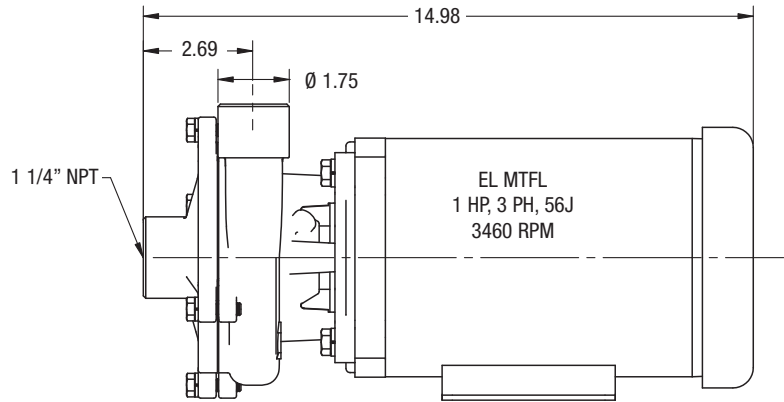
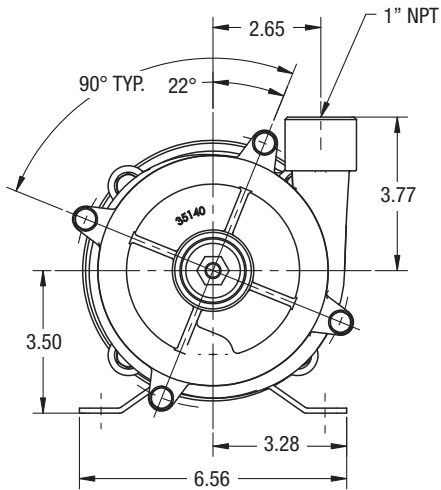
### Port Sizes:

- 1-1/4" x 1" NPT

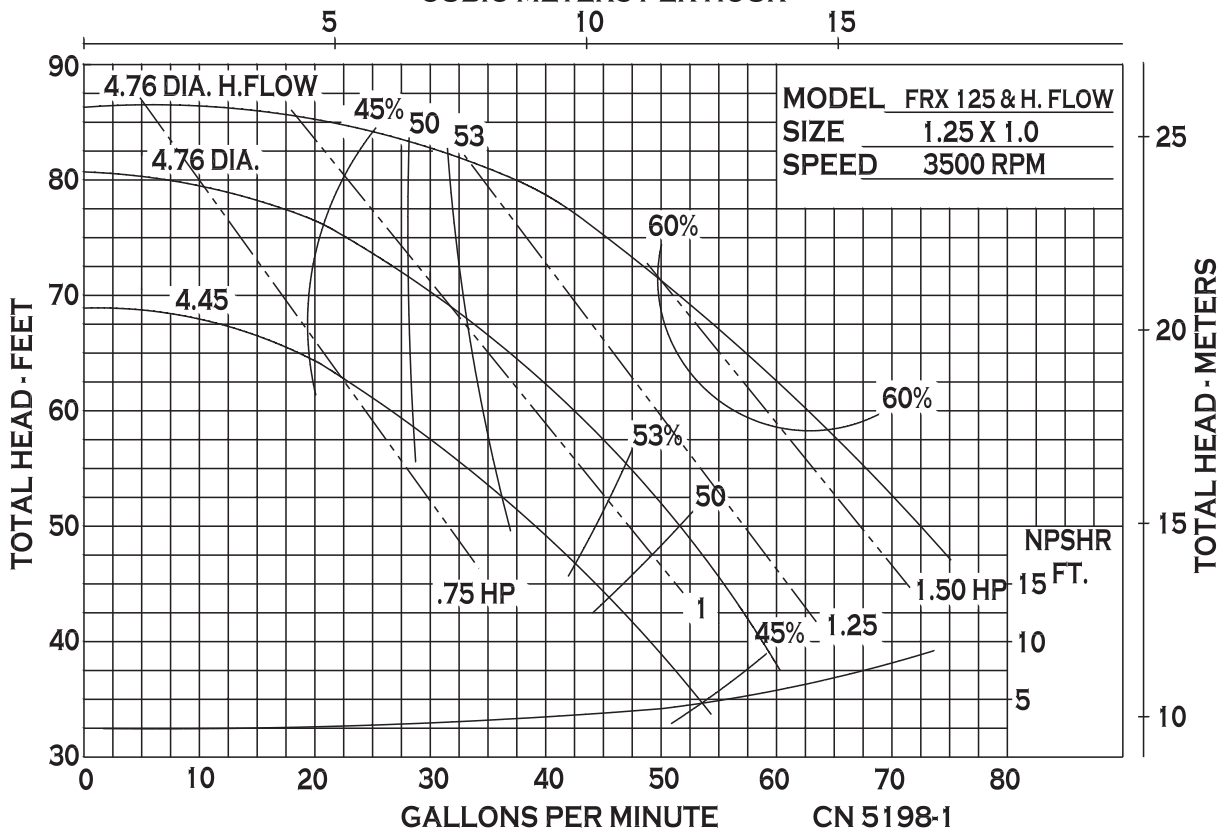
### Seal:

- Carbon / Ceramic / Viton

# FRX 125



1-1/4" NPT X 1" NPT  
CUBIC METERS PER HOUR



## MP PUMPS, INC.

34800 BENNETT • FRASER, MI 48026-1686  
(586) 293-8240 • FAX (586) 293-8469  
(800) 563-8006 • www.mppumps.com

[www.mppumps.com](http://www.mppumps.com)

FORM 8132-A (04/07)  
Litho in USA