



2CT-3

Self-Priming Centrifugal Pump

The 2CT-3 pump quickly close-couples to a standard motor 145TC, 184TC or 215TC frame. The 2CT features a back pull-out design and replaceable wearplate accessible through the front trash cleanout. A 304SS sleeve protects the close-coupled driver shaft. Available options include a bearing pedestal for base mounted pumps as well as a hydraulic motor drive pedestal.

2" x 2"
or
3" x 3"

PUMP SPECIFICATIONS

Seal	Single carbon/ceramic/viton standard or Silicon carbide/silicon carbide optional
Impeller	Ductile iron
Max. Solid Size	1.25" diameter sphere
Housing	Class 30 Cast iron
Shaft Sleeve	304SS

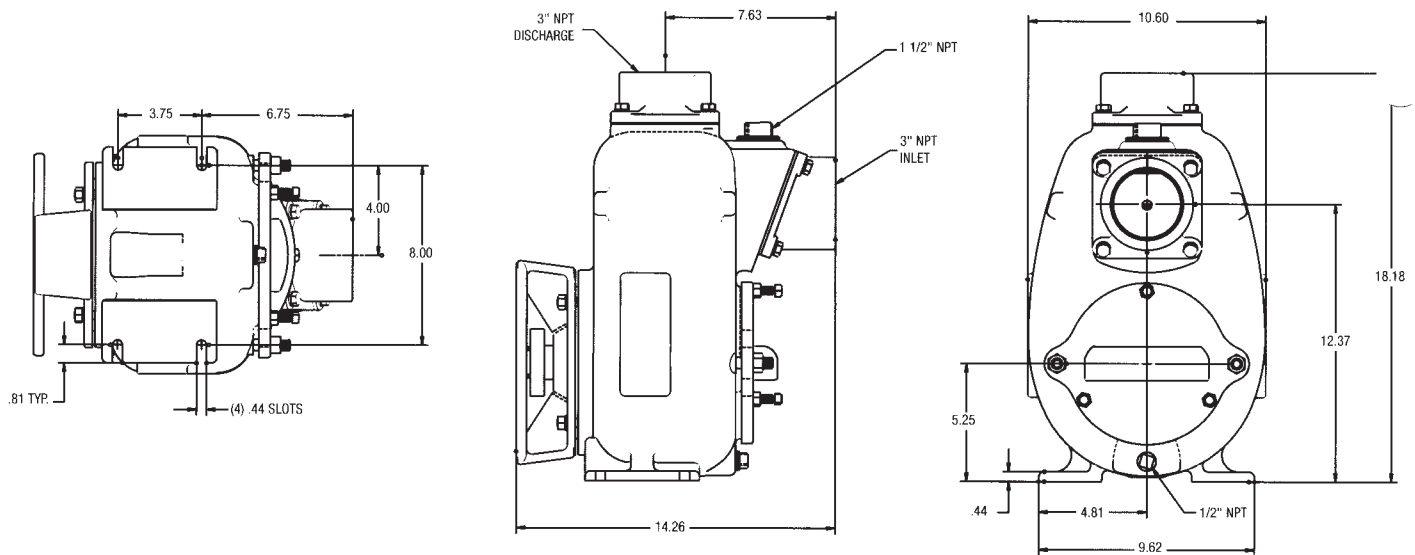
Available in:

CC Electric Motor
Pedestal Pump
Gas Engine Or
Hydraulic Motor
Driven

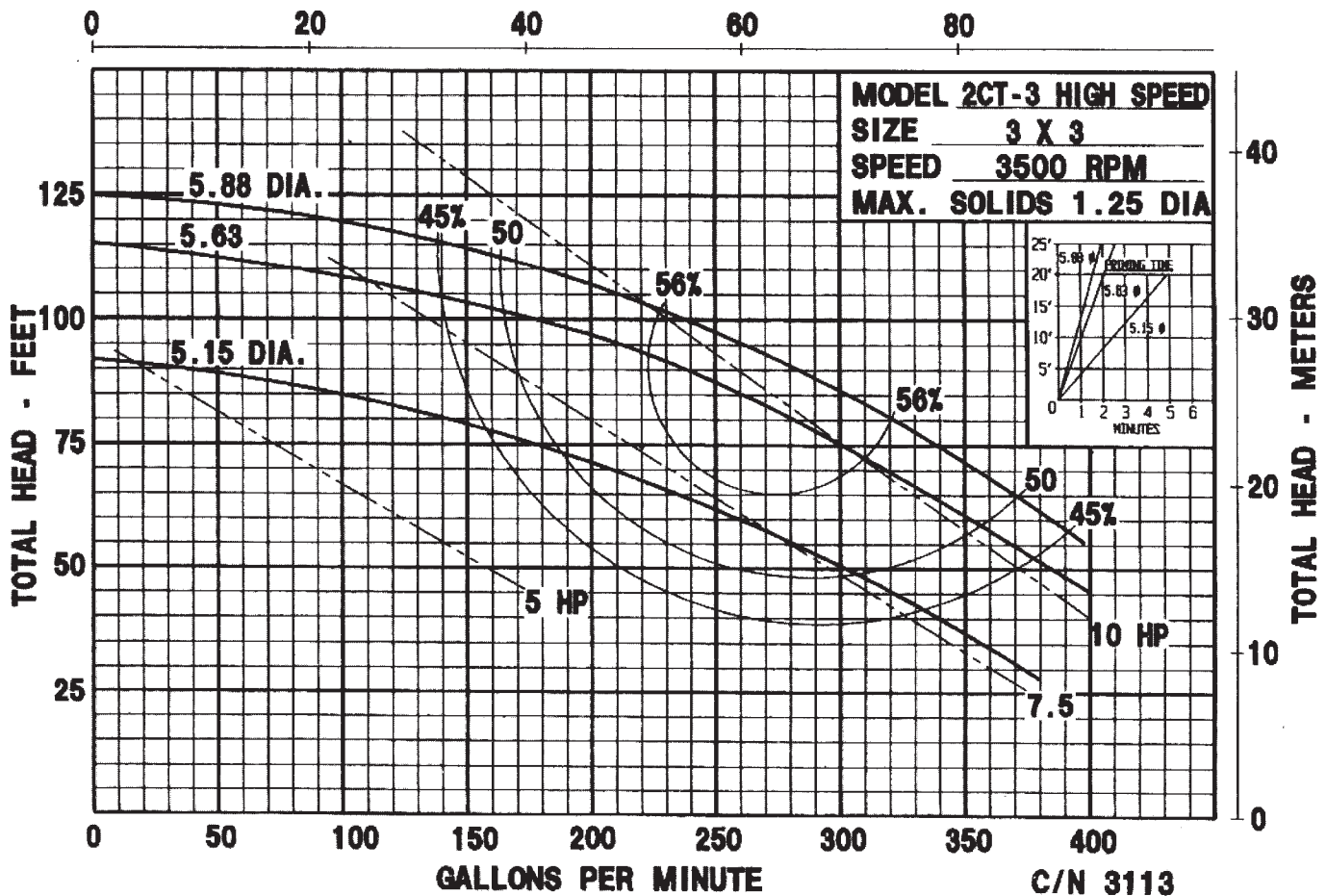


MP PUMPS, INC.

34800 BENNETT • FRASER, MI 48026-1686
(586) 293-8240 • FAX (586) 293-8469
(800) 563-8006 • www.mppumps.com



CUBIC METERS PER HOUR



MP PUMPS, INC.

34800 BENNETT • FRASER, MI 48026-1686
 (586) 293-8240 • FAX (586) 293-8469
 (800) 563-8006 • www.mppumps.com

www.mppumps.com

FORM 8103 (6/02)
 Litho in USA