

# EC SERIES

Economical  
Cast Iron  
End Suction  
Centrifugal  
Pumps

Complete  
Pumps Available  
For Immediate  
Shipment

## Available

- 1/2 HP
- 3/4 HP
- 1 HP
- 1.5 HP
- 2.0 HP
- 3.0 HP



Heavy Duty Cast Iron Construction  
Back Pull-Out Design  
NEMA Motors

Flow Rate Up To 120 GPM  
Pressure Up To 140 TDH

Ideal For Light Industrial/  
Commercial Water Transfer Services

### Pump Specifications

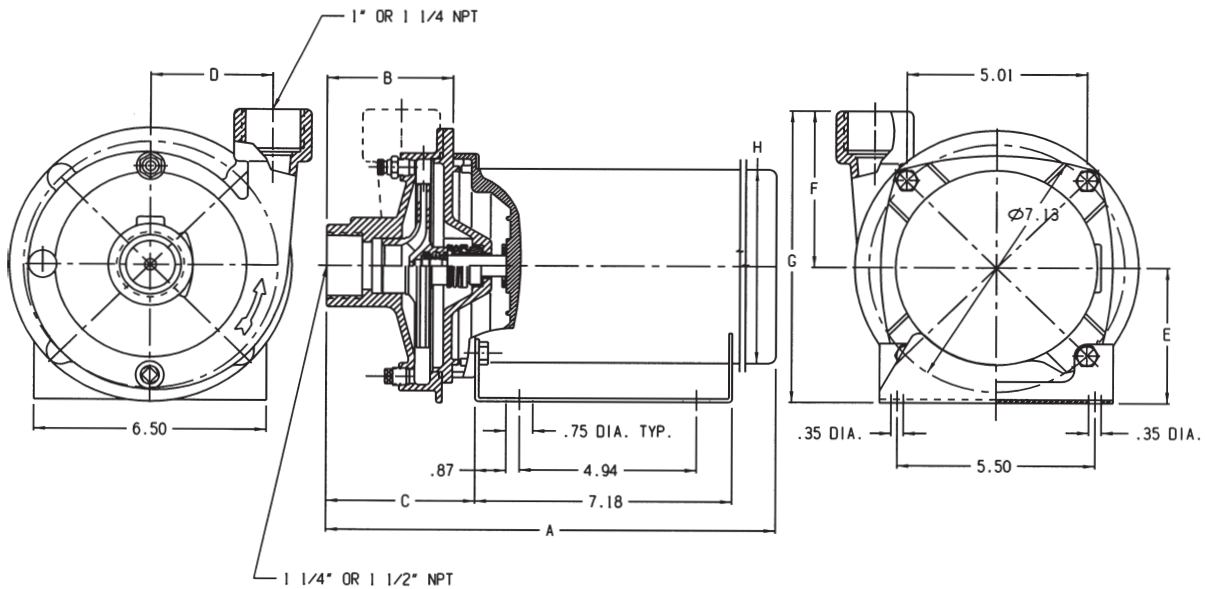
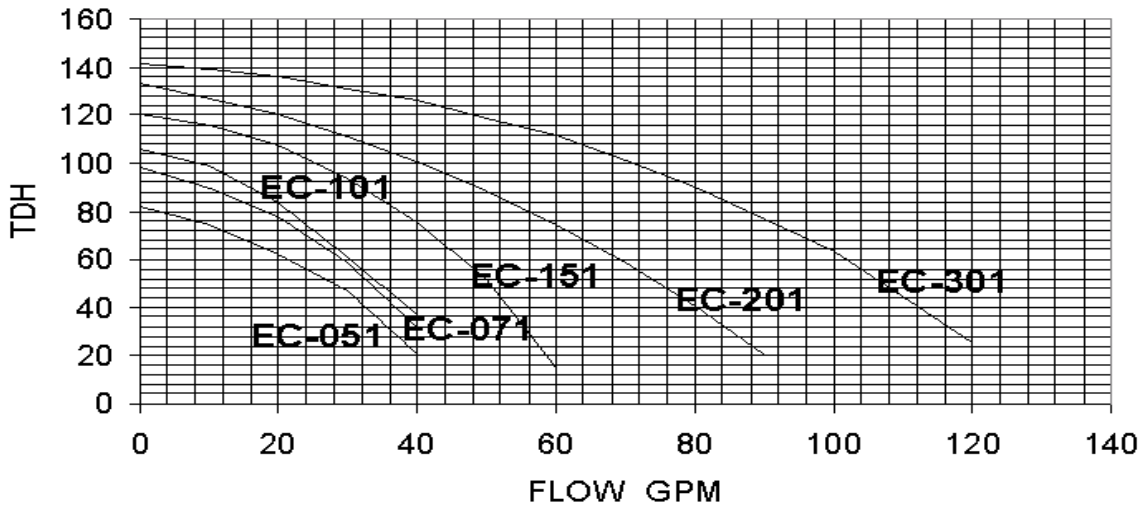
Seal.....	Carbon/Ceramic/Buna
Housing.....	Cast Iron
Impeller.....	Noryl
Max. Temperature.....	160°F



34800 BENNETT • FRASER, MI 48026-1686  
(586) 293-8240 • FAX (586) 293-8469  
(800) 563-8006 • www.mppumps.com

# EC SERIES

## EC SERIES



MODEL NO.	HP	VOLTAGE & PHASE	PORTS		PUMP DIMENSIONS					PACKING DIMENSIONS	WEIGHT
			Suc	Disc	A	B	C	F	H	Inches	
EC-051	.50	115/230/1	1.25"	1.00"	14.48	2.08	4.32	4.49	5.49	15.5 X 8.5 X 10"	32
EC-071	.75	115/230/1	1.25"	1.00"	14.67	2.08	4.44	4.53	5.47	16.5 X 9.5 X 10"	34
EC-101	1	115/230/1	1.50"	1.25"	15.25	2.08	4.28	4.46	5.56	16.5 X 9.5 X 10"	35
EC-151	1.50	115/230/1	1.25"	1.00"	15.75	2.08	4.25	4.45	5.50	16.5 X 9.5 X 10"	41
EC-201	2	230/1	1.50"	1.25"	16.42	2.08	5.01	4.71	5.55	18.25 X 9.5 X 10"	43
EC-301	3	230/1	1.50"	1.25"	18.13	2.08	4.92	4.39	6.22	18.25 X 9.5 X 10"	52

All models are available in 3 Phase – specify voltage



34800 BENNETT • FRASER, MI 48026-1686  
 (586) 293-8240 • FAX (586) 293-8469  
 (800) 563-8006 • www.mppumps.com