

The Series 110 and 130 pedestal pumps can be driven by standard electric or hydraulic motors, gasoline or diesel engines, pulleys, belts or clutch drives.

Open adaptor construction provides adequate drainage to keep liquids from damaging drivers. A heavy duty ball bearing pedestal for longer life. Standard or severe service seals available using Viton and stainless steel parts.

Tested pumps are available with or without drivers. Various impeller diameters are available to suit different head/flow requirements.

PUMP SPECIFICATIONS

Suction and Discharge	Series 110 — 1½" x 1¼" Series 130 — 2" x 1½"
Housing	Bronze or Cast Iron
Impeller	Bronze or Cast Iron (Open)
Shaft	¾" Shaft with Stainless Steel Sleeve
Fasteners	Stainless Steel or Bronze
Seal	Standard carbon/ceramic Viton Special seal material combinations available (Consult factory)
Bearings	Two sealed, pre-lubricated
Rotation	Right or left hand

SERIES

110 - 130

High Capacity For
Belt or Direct Drive
Centrifugal
Pumps

SERIES 110

1½" x 1¼"

UP TO 130 GPM

SERIES 130

2" x 1½"

UP TO 160 GPM

**PEDESTAL MOUNT
HEAVY DUTY
BALL BEARINGS
MECHANICAL SEAL**

Available in:

**CAST IRON or
BRONZE CONSTRUCTION**

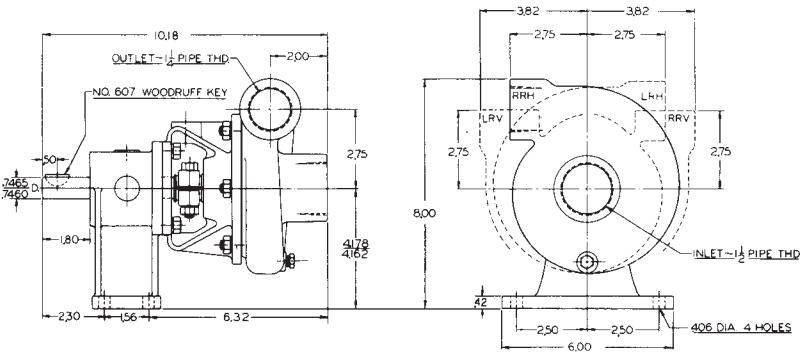


MP PUMPS, INC.

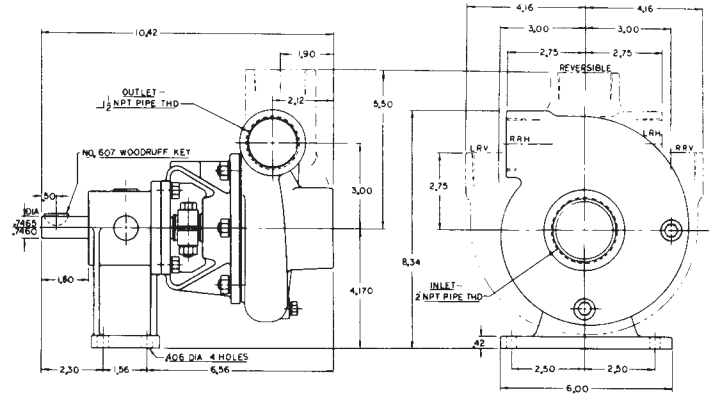
34800 BENNETT • FRASER, MI 48026-1686
(586) 293-8240 • FAX (586) 293-8469
(800) 563-8006 • www.mppumps.com

SERIES 110 - 130

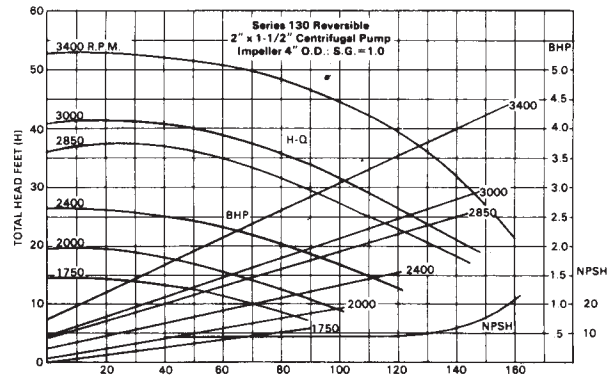
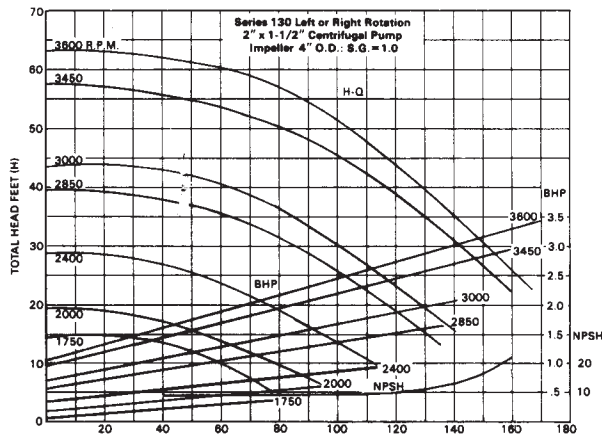
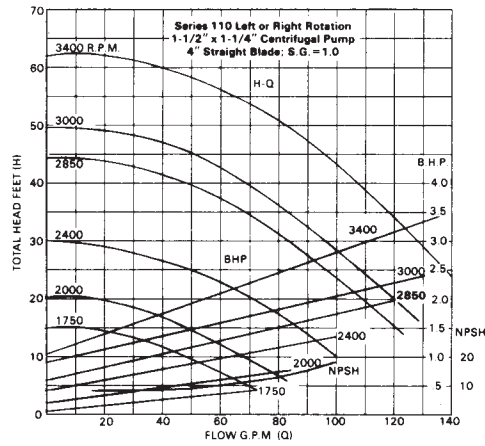
PEDESTAL MOUNT FOR BELT OR DIRECT DRIVE



SERIES 110



SERIES 130



34800 BENNETT • FRASER, MI 48026-1686
(586) 293-8240 • FAX (586) 293-8469
(800) 563-8006 • www.mppumps.com