

Series 300 centrifugal pumps are close-coupled to standard NEMA JP motors. A special adaptor protects the motor. All models are available in cast iron with stainless steel fasteners.

Enclosed impellers are dynamically balanced to improve efficiency and bearing life.

Standard carbon/ceramic Viton mechanical seal is self-adjusting and corrosion resistant to handle almost any liquid.

213JP — 215JP — 254JP — 256JP

### PUMP SPECIFICATIONS

<b>Suction and Discharge ..</b>	3" x 2½" 125 ANSI Flanges
<b>Housing.....</b>	Cast Iron
<b>Impeller.....</b>	Ductile Iron—enclosed— balanced
<b>Fasteners .....</b>	Stainless Steel
<b>Seal.....</b>	Standard carbon/ceramic Viton Packed box optional. Special seal material available. (Consult factory)

## SERIES 300

# 3" x 2½" CENTRIFUGAL PUMP

**Close-Coupled to  
Electric Motor  
NEMA JP  
Pump Motor**

**Up to 25 HP**

UP TO 500 GPM  
UP TO 190 FEET HEAD

*Available in:*

**CAST IRON  
STAINLESS STEEL  
FITTED**



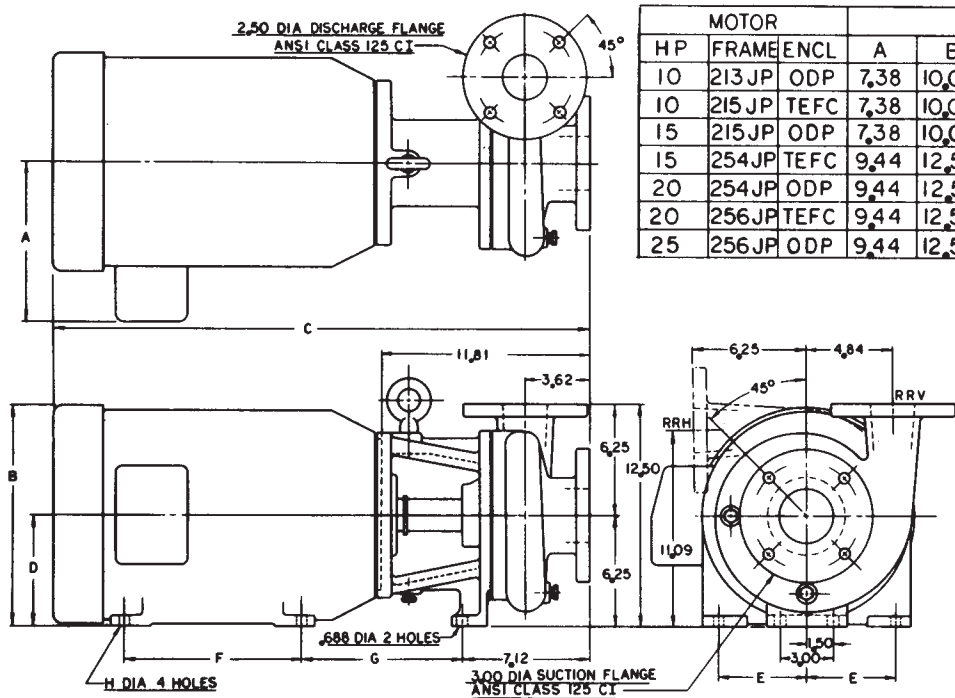
## **MP PUMPS, INC.**

34800 BENNETT • FRASER, MI 48026-1686  
(586) 293-8240 • FAX (586) 293-8469  
(800) 563-8006 • [www.mppumps.com](http://www.mppumps.com)

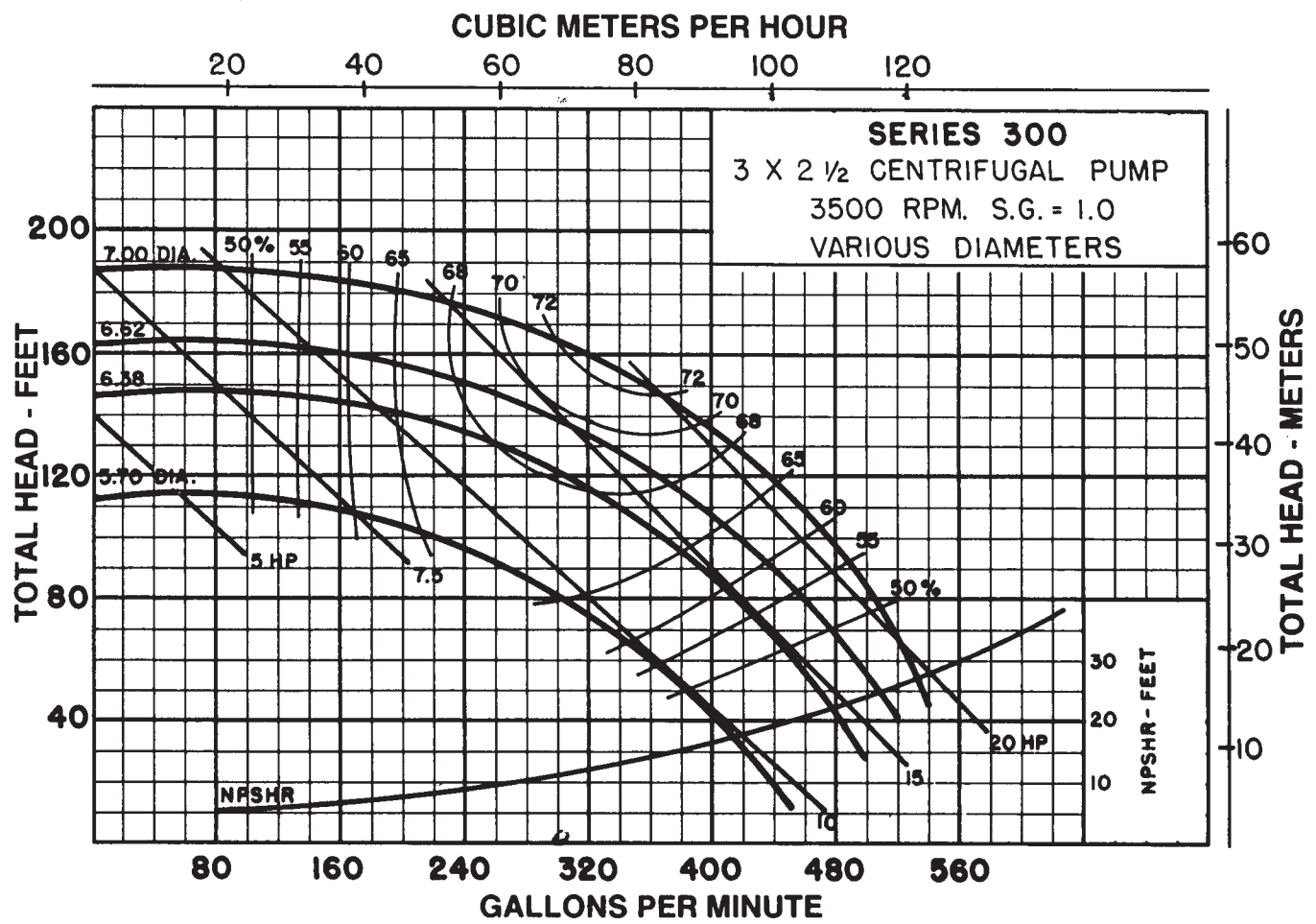
# SERIES 300

## 3" X 2 1/2"

# CENTRIFUGAL PUMP CLOSE-COUPLED TO ELECTRIC MOTOR



MOTOR			DIMENSION							
HP	FRAME	ENCL	A	B	C	D	E	F	G	H
10	213JP	ODP	7.38	10.06	24.50	5.25	4.25	5.50	9.19	.41
10	215JP	TEFC	7.38	10.06	27.44	5.25	4.25	7.00	9.19	.41
15	215JP	ODP	7.38	10.06	26.00	5.25	4.25	7.00	9.19	.41
15	254JP	TEFC	9.44	12.56	30.50	6.25	5.00	8.25	9.69	.53
20	254JP	ODP	9.44	12.56	28.62	6.25	5.00	8.25	9.69	.53
20	256JP	TEFC	9.44	12.56	32.25	6.25	5.00	10.00	9.69	.53
25	256JP	ODP	9.44	12.56	30.38	6.25	5.00	10.00	9.69	.53



**MP PUMPS, INC.**  
 34800 BENNETT • FRASER, MI 48026-1686  
 (586) 293-8240 • FAX (586) 293-9469  
 (800) 583-8008 • www.mppumps.com