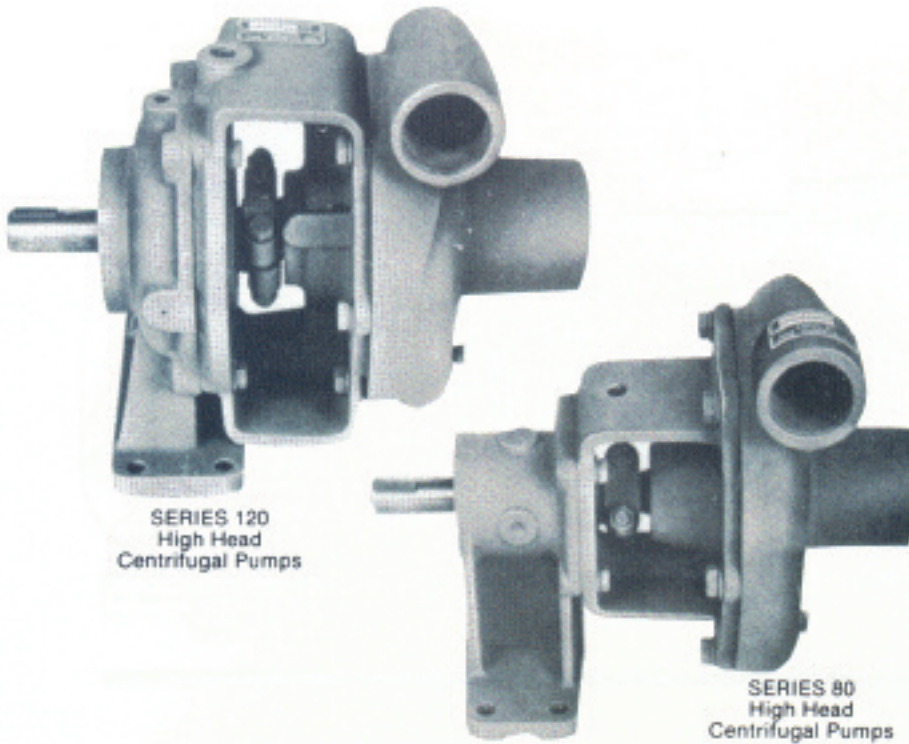


**SERIES 80 - 120
HIGH HEAD
CENTRIFUGAL PUMPS**
FOR BELT OR DIRECT DRIVE



PEDESTAL MOUNT
Series 80 - 1½" X 1 ¼"
Series 120 - 2" X 1½"
Up to 60 PSI

MP Series 80 and 120 high head straight centrifugal pumps are designed to meet applications that require up to 60 PSI and up to 200 GPM.

These models are available in cast iron or bronze construction with stainless steel drive sleeves and a choice of bronze or cast iron impellers.

Compact in design they are easy to mount and the housing can be rotated to meet different piping conditions.

Standard carbon/ceramic Viton mechanical seals are used, with special seals available for special applications.

Similar pumps are offered close or long coupled to electric motors.

PUMP SPECIFICATIONS

Suction and Discharge	Series 80 - 1-1/2" x 1-1/4" Series 120 - 2" x 1-1/2"
Housing	Cast iron or bronze with vertical or horizontal discharge.
Impeller	Bronze - enclosed - balanced - Cast iron - Optional
Fasteners	Stainless steel or bronze
Seal	Standard carbon/ceramic Viton Special seal material available (Consult factory)
Pedestal	Heavy duty - two ball bearings pre-lubricated

**SERIES 80 - 100 GPM
SERIES 120 - 200 GPM
RIGHT HAND
ROTATION
MECHANICAL SEAL**

**AVAILABLE IN:
CAST IRON
BRONZE
VERTICAL OR
HORIZONTAL
DISCHARGE**

 **MP PUMPS, INC.**

34800 BENNETT • FRASER, MI 48026-1686
(586) 293-8240 • FAX (586) 293-8469
(800) 563-8006 • www.mppumps.com

SERIES 80 - 120

1-1/2" X 1-1/4"

2" X 1-1/2"

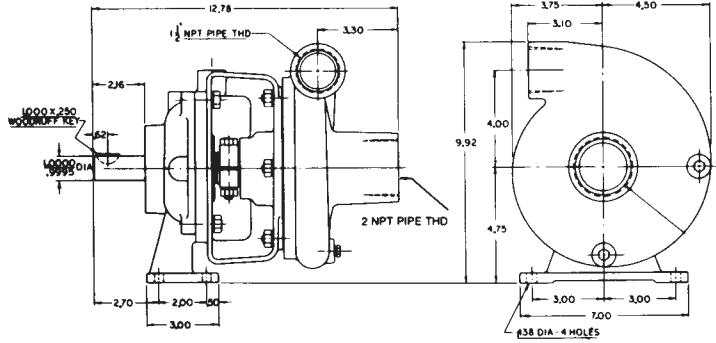
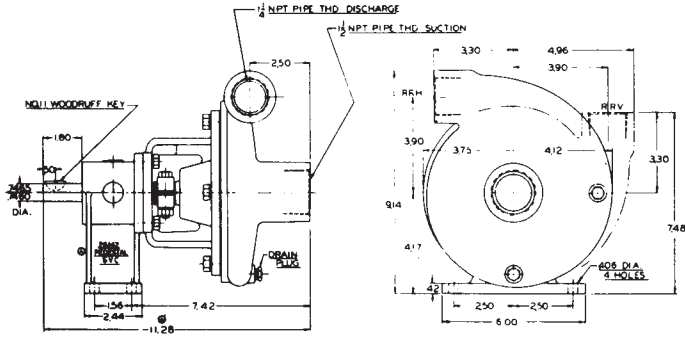
HIGH HEAD PEDESTAL
MOUNT PUMPS

SERIES-80

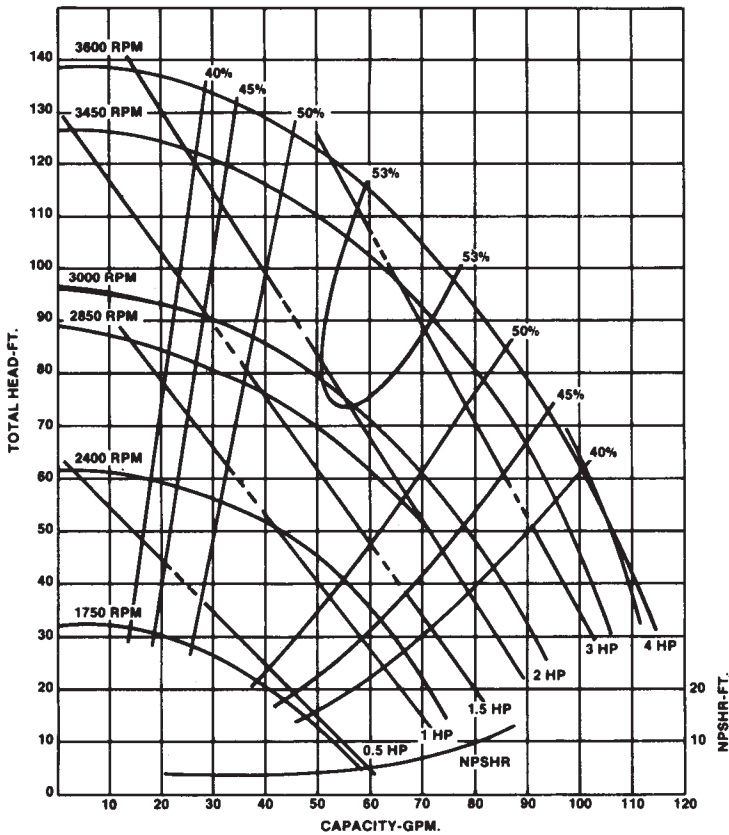
1 1/2 x 1 1/4 - CENTRIFUGAL PUMP

SERIES-120

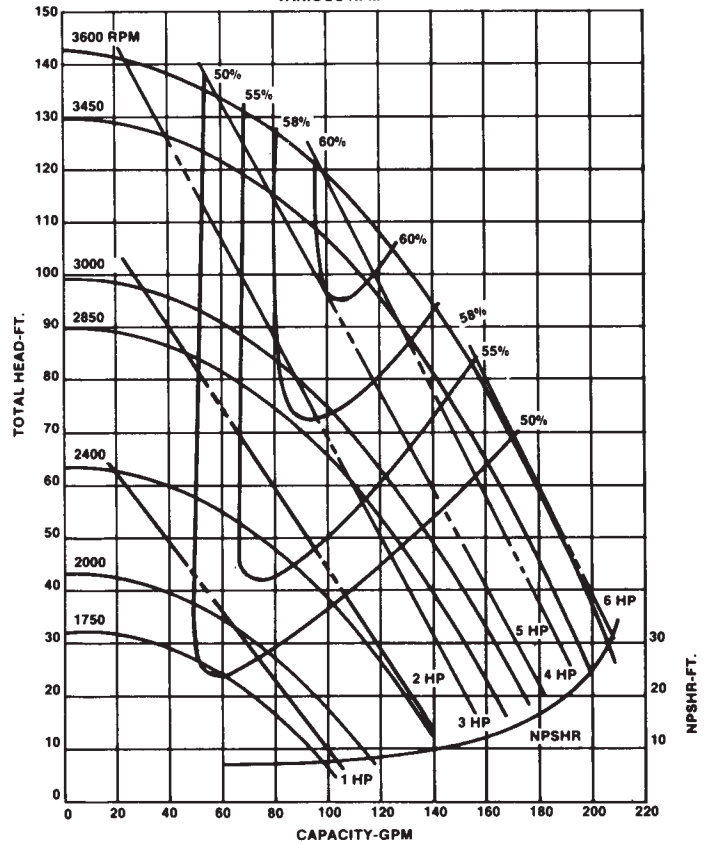
2 x 1 1/2 CENTRIFUGAL PUMP



SERIES-80
1 1/2 x 1 1/4 - CENTRIFUGAL PUMP
5.9" IMPELLER DIA.
VARIOUS RPM



SERIES-120
2 x 1 1/2 CENTRIFUGAL PUMP
5.96" IMPELLER DIA. S.G. = 1.0
VARIOUS RPM



34800 BENNETT • FRASER, MI 48026-1686
(586) 293-8240 • FAX (586) 293-8469
(800) 563-8006 • www.mppumps.com