

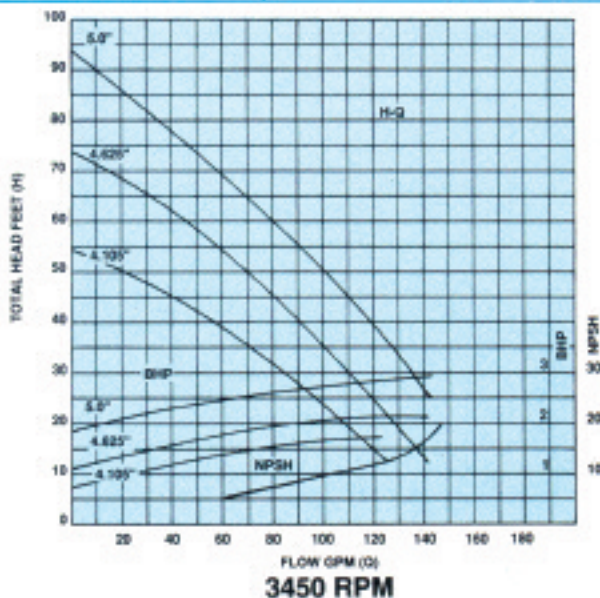
Pedestal Model
Shown

Stainless steel FLOMAX 8 self-priming centrifugal pump uses engine drive, NEMA "C" face or pedestal drive.

Stainless steel FLOMAX 8 is made of series 316 stainless with all pressure containing components cast in 316 stainless steel to suit a wide variety of liquids. Impellers are balanced and trimmed to insure optimum performance without overloading.

PUMP SPECIFICATIONS

Suction & Discharge	S.A.E. Flange 2" Flat Face Class 125 Flange
Housing	316 Stainless Steel
Impeller	316 Stainless Steel
Shaft Sleeve	316 Stainless Steel
Fasteners	Stainless Steel
Seals	Standard Viton Others available (consult factory for seal options)



316 STAINLESS STEEL FLOMAX 8

2" x 2" SELF PRIMING CENTRIFUGAL PUMP

PUMPAKS

- ENGINE DRIVE
- "C" FACE ELECTRIC MOTOR DRIVE
- PEDESTAL DRIVE

FLOWS TO 140 GPM
PRESSURES TO 40 PSI



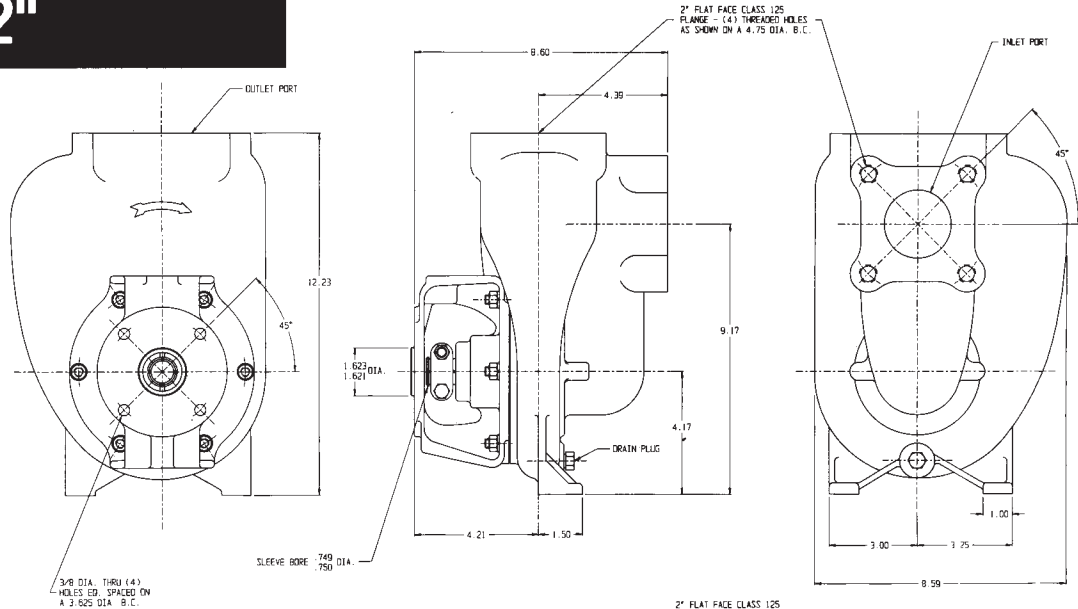
MP PUMPS, INC.

34800 BENNETT • FRASER, MI 48026-1686
(586) 293-8240 • FAX (586) 293-8469
(800) 563-8006 • www.mppumps.com

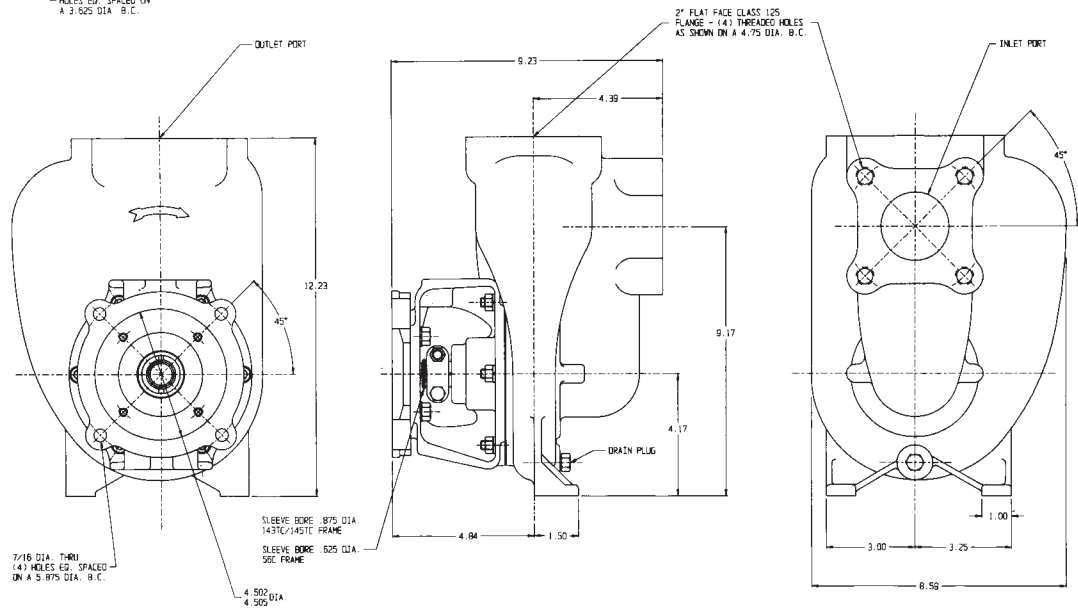
FLOMAX 8

2" x 2"

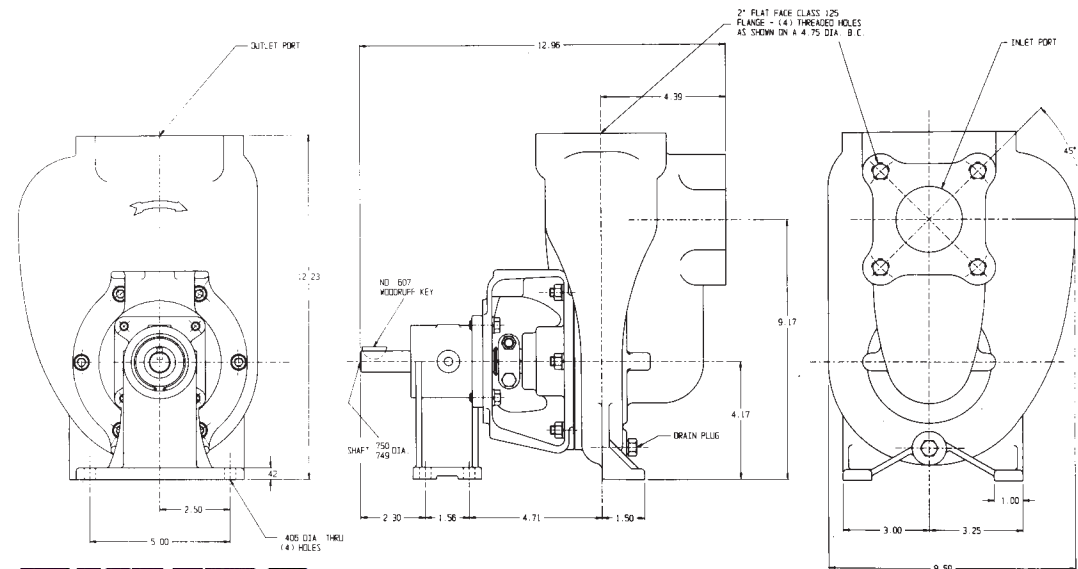
ENGINE DRIVE



"C" FACE ELECTRIC MOTOR DRIVE



PEDESTAL DRIVE



MP PUMPS, INC.

34800 BENNETT • FRASER, MI 48026-1686
 (586) 293-8240 • FAX (586) 293-8469
 (800) 563-8006 • www.mppumps.com

CONSULT FACTORY FOR CHEMICAL COMPATIBILITY.

LITHO IN U.S.A.