

CLUTCH DRIVEN SELF- PRIMING PUMPS

- 1 1/2" - 100 GPM
- 2" - 140 GPM
- 2" - 210 GPM
- 3" - 300 GPM

FLOMAX clutch driven self-priming centrifugal pumps are used in applications where intermittent operation is required or where available power is limited.

In marine applications the FLOMAX clutch driven pumps are used for bilge, fire protection, wash down, fuel transfer, and general ballast pumps. The clutch is protected by corrosion-resistant cadmium plating.

These pumps use the unique MP PUMPAK design which permits removal of the pumps from the clutch in just minutes. Maintenance is easy and PUMPAKS can be transferred quickly from clutch to hydraulic motor, gas engine, PTO or pedestal drive.

PUMP SPECIFICATIONS

Suction & Discharge . . .	1 1/2", 2" or 3"
Housing	Cast iron, bronze, aluminum or stainless steel
Impeller	Cast iron, bronze, aluminum or stainless steel
Shaft Sleeve	Stainless steel
Clutch	Single or double groove 3 1/2" dia. pulleys fits A or B section belts.
Seals	Standard is carbon, ceramic, stainless steel & VITON, with other seal materials available. (Consult factory)
Fasteners	Stainless steel

3 1/2" DIAMETER
SINGLE AND
DOUBLE GROOVE
PULLEY —
FIT A OR B
SECTION BELTS

Available in:

CAST IRON
BRONZE
ALUMINUM



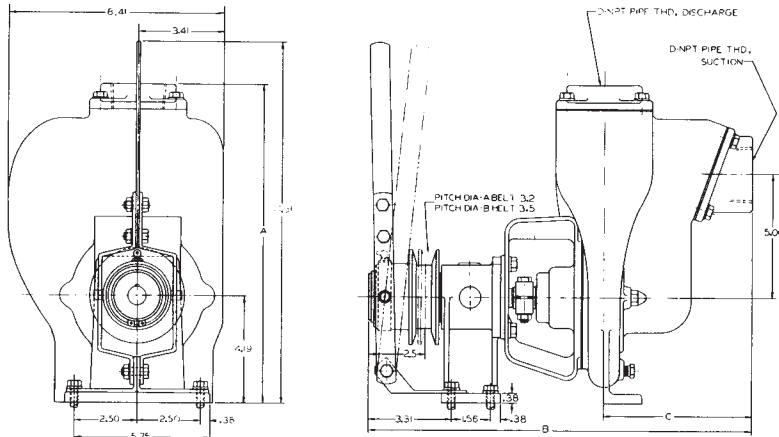
MP PUMPS, INC.

34800 BENNETT • FRASER, MI 48026-1686
(586) 293-8240 • FAX (586) 293-8469
(800) 563-8006 • www.mppumps.com

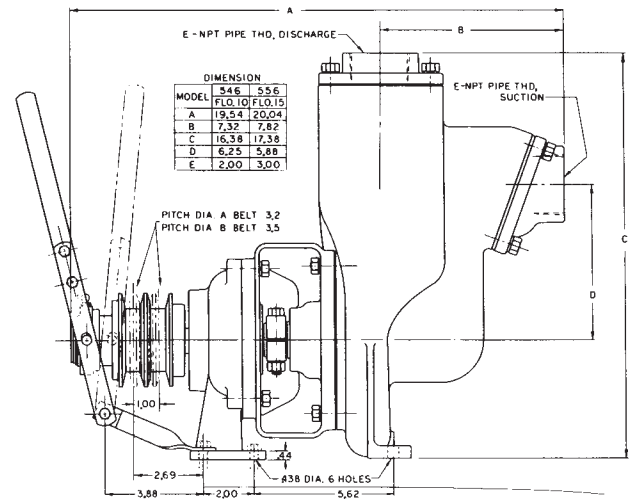
CLUTCH DRIVEN SELF-PRIMING PUMPS 1½", 2" & 3"

DIMENSION		
MODEL	FLO. 5	FLO. 8
A	11.69	12.88
B	15.25	15.44
C	5.88	6.06
D	1.50	2.00

DIMENSION		
MODEL	FLO. 10	FLO. 15
A	19.54	20.04
B	7.32	7.82
C	16.38	17.38
D	6.25	5.88
E	2.00	3.00

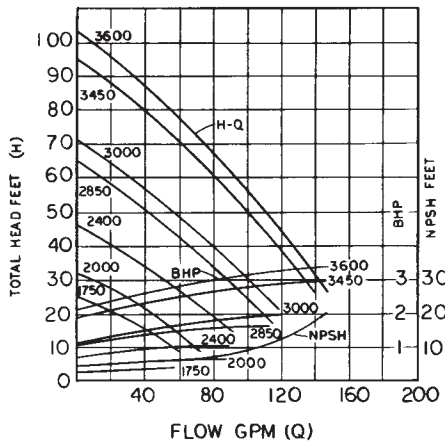


FLOMAX 5 AND 8

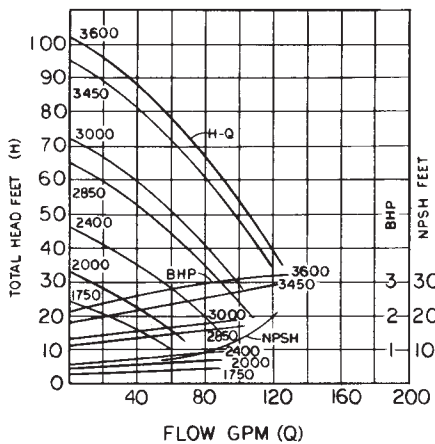


FLOMAX 10 AND 15

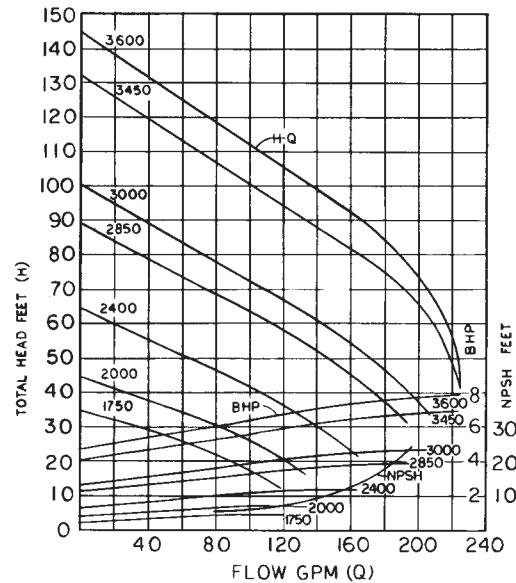
FLOMAX 8



FLOMAX 5



FLOMAX 10



FLOMAX 15

