



BLOW-OFF VALVE

MODEL BO2

COMPACT MANUAL BLOW-OFF VALVE SUITABLE FOR TLV STEAM TRAPS

Benefits

Stainless steel valve utilizes a steam trap's internal pressure to blow any condensate, oil, dirt or scale inside the steam trap out to atmosphere.

1. Simple design, compact and light weight.
2. Made of stainless steel with high durability and corrosion resistance for long service life.
3. Easy to use and maintain.



Specifications

Model	BO2	
Connection	Screwed BSPP (G)	
Size (in)	1/4*	
Maximum Operating Pressure (psig)	PMO	925
Maximum Operating Temperature (°F)	TMO	800
Maximum Allowable Pressure (psig)	PMA	925
Maximum Allowable Temperature (°F)	TMA	800

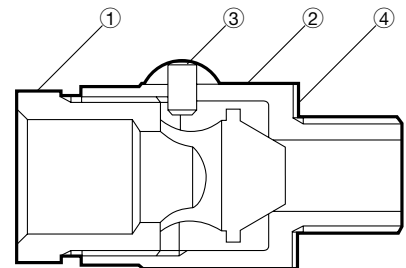
* Other sizes available with adapter



To avoid abnormal operation, accidents or serious injury, DO NOT use this product outside of the specification range. Local regulations may restrict the use of this product to below the conditions quoted.

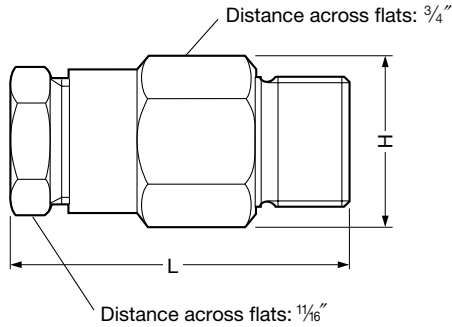
No.	Description	Material	ASTM/AISI*	JIS
①	Blow-off Valve	Stainless Steel	AISI420F	SUS420F
②	Blow-off Valve Seat	Stainless Steel	AISI420F	SUS420F
③	Valve Stopper Pin	Stainless Steel	AISI304	SUS304
④	Blow-off Valve Gasket	Soft Iron	AISI1010	SUYP

* Equivalent



Dimensions

● **BO2 Screwed**



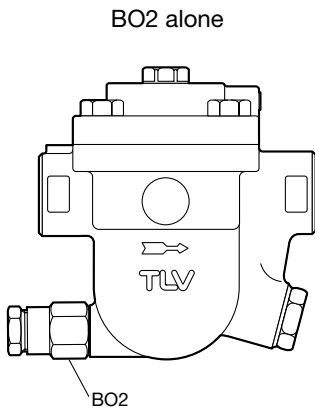
BO2 Screwed* (in)

Size	L	H	Weight (lb)
1/4	1 1/16	7/8	0.13

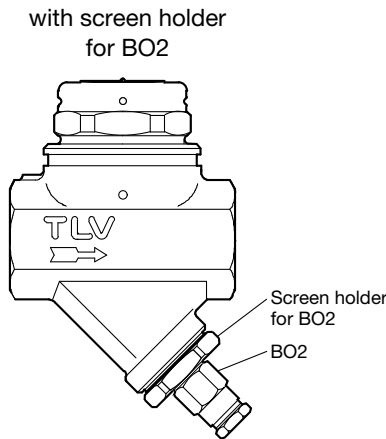
* BSPP(G)1/4, adaptors available to fit most TLV air and steam traps; indicate which product the BO2 will be used for when ordering

Installation

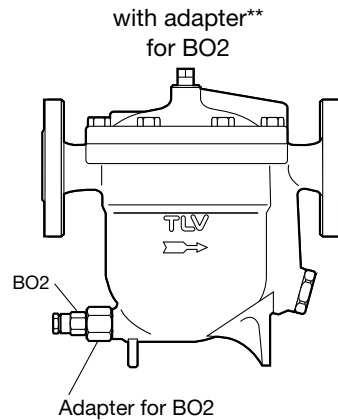
The BO2 blow-off valve may require a connection adapter for some installations as shown:



Model J3X*
with BO2



Model P46SRN
with BO2



Model J7X
with BO2

* Installation of BO2 is possible on J3X only with optional drain plug.

** Adapter may vary depending on product.



When operating the blow-off valve, always wear eye protection and heat-resistant gloves, and stand to the side well clear of the outlet. Avoid excessive force opening the valve, taking care not to break the valve stopper pin. Failure to do so may result in burns, other injury, and/or damage. Read Installation and Operating Instructions for BO2 carefully prior to operation.

TLV CORPORATION

13901 South Lakes Drive, Charlotte, NC 28273-6790
 Phone: 704-597-9070 Fax: 704-583-1610
 E-mail: tlv@tlvengineering.com
 For Technical Service 1-800 "TLV TRAP"



Manufacturer
TLV CO., LTD.
 Kakogawa, Japan
 is approved by LRQA Ltd. to ISO 9001/14001

ISO 9001/ISO 14001

